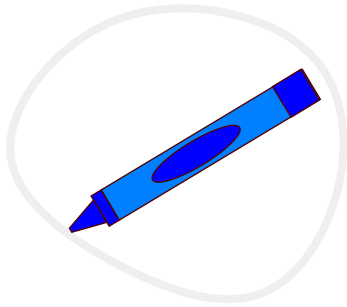


# Blending Consonants Worksheets

Look at the pictures and circle the correct consonant blend.

(Clue: they start with each word)



cr

br

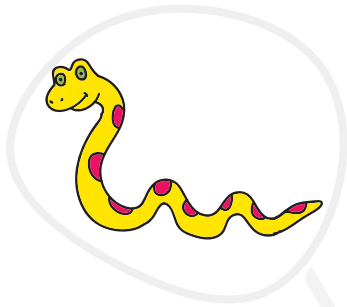
fr



fr

cl

gl



tr

sn

pl



sl

st

tr

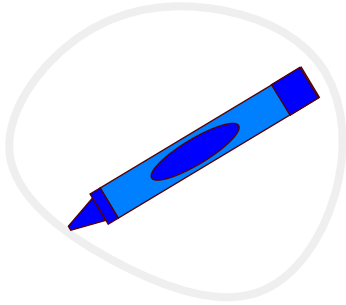


cl

bl

sk

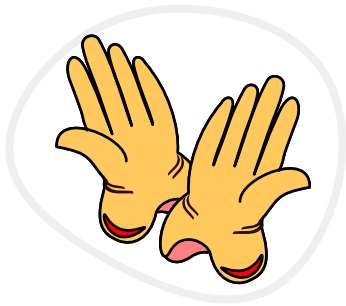
# Answers



cr

br

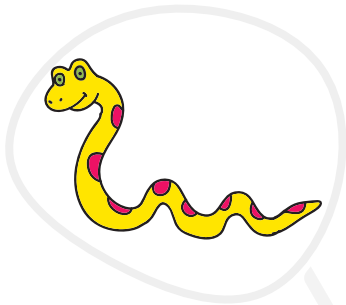
fr



fr

cl

gl



tr

sn

pl



sl

st

tr



cl

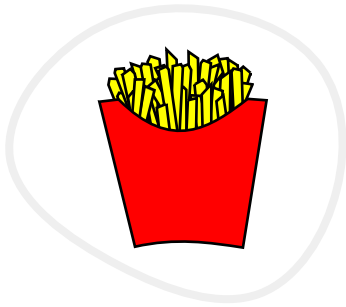
bl

sk

# Blending Consonants Worksheets

Look at the pictures and circle the correct consonant blend.

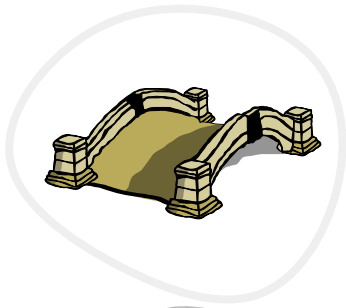
(Clue: they start with each word)



gr

bl

fr



fr

br

kr



he

sh

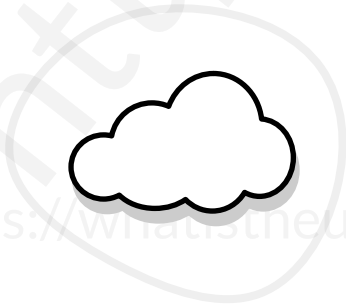
ch



sp

sc

tr

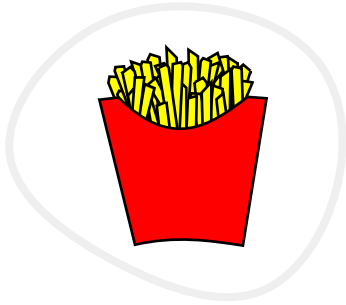


cl

bl

sk

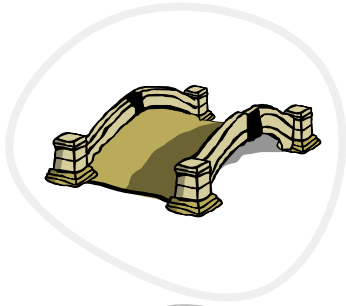
# Answers



gr

bl

fr



fr

br

kr



he

sh

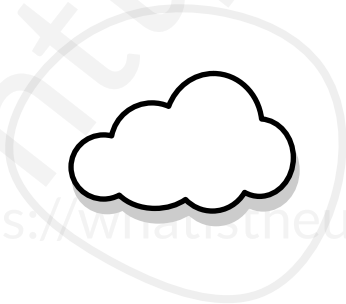
ch



sp

sc

tr



cl

bl

sk